



CENTRIFUGAL PUMP

**HIGH-FLOW PUMP,
MAX. FLOW 30M³/H**

APPLICATION :

CLEANING SYSTEM FOR MILK TANK

TECHNICAL FEATURES :

POLYPROPYLENE PUMP HOUSING

CAPACITOR INSIDE THE
TERMINAL BOX

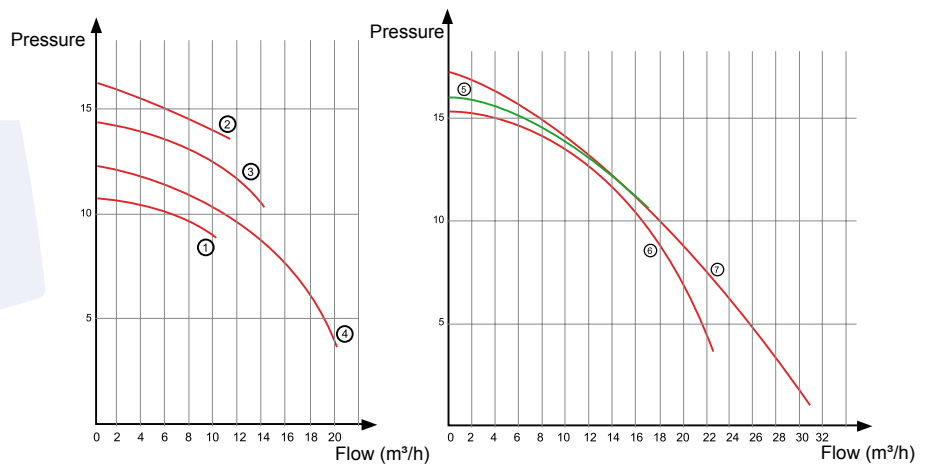
NITRILE MECHANICAL SEAL

8 OUTLET POSITIONS

5 TERMINAL BOX POSITIONS

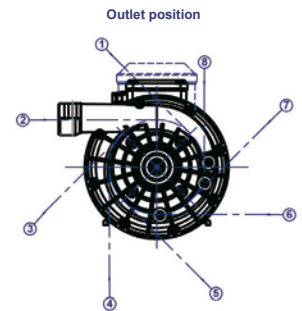
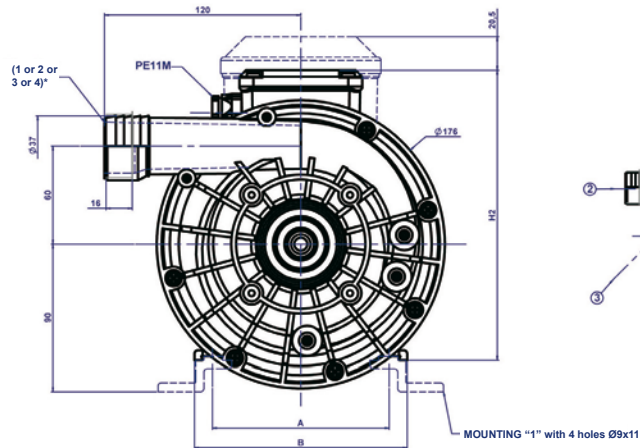
POLYAMIDE 6 IMPELLER

3 DRAIN PLUG POSITIONS



①	PB 1C 250 KB PB 3 250 KB	Turbine \varnothing 88
②		Turbine \varnothing 107
③	PB 1C 270 KB PB 3 270 KB	Turbine \varnothing 100
④		Turbine \varnothing 93
⑤	PB 1C 285 KB PB 3 285 KB	Turbine \varnothing 107
⑥		Turbine \varnothing 100
⑦	PB 1C 80 KB PB 3 80 KB	Turbine \varnothing 107

Technical features						
Model	Single phase with capacitor 230V 50 Hz	Three phase 230/400 V 50 Hz	Inlet power W	Rated current 230 V - A	Cos	Rated power W
PB 1C250 K4B	•		560	2,50	0,98	400
PB 3250 K4B		•	560	1,85	0,75	400
PB 1C270 K4B	•		900	3,95	0,98	600
PB 3270 K4B		•	875	2,95	0,74	600
PB 1C285 K4B	•		1150	5,10	0,98	810
PB 3285 K4B		•	985	3,40	0,73	800
PB 1C80 K1B	•		1350	6,10	0,96	1100
PB 80 K1B		•	1360	4,20	0,81	1100



OPTIONS :

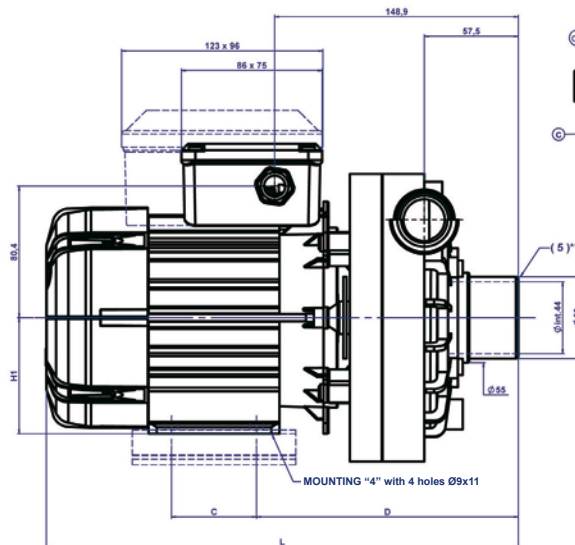
SPECIAL VOLTAGES AND FREQUENCIES ON REQUEST

GENERAL REMARKS :

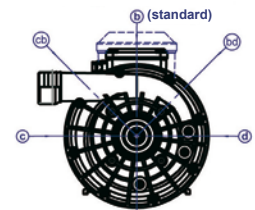
THESE PUMPS MEET THE STANDARDS AND GUIDELINES IN FORCE

COMPLIES WITH STANDARDS :

EN 60 335-1
EN 60 335-2-41



Outlet position of the terminal box



	L	A	B	C	D	H1	H2
PB 1C250 PB 3250	278	108	130	32	160,5	71	177,5
PB 1C270 PB 3270	288	108	130	52	160,5	71	177,5
PB 1C285 PB 3285	301	108	130	67	160,5	71	177,5
PB 1C80 PB 80	323	125	147	100	155,5	80	186,5

*** Discharge diameter :**

- 1 - ext. Ø 37 - int. Ø 29,3 - Connection on smooth pipe
- 2 - On request : ext. threaded diameter G 1³/₄ - int. Ø 33
- 3 - On request : ext. threaded diameter G 1¹/₂ - int. Ø 37
- 4 - On request : ext. threaded diameter G 2¹/₄ - int. Ø 50

**** Suction diameter :**

- 5 - On request : int. threaded diameter G1¹/₂